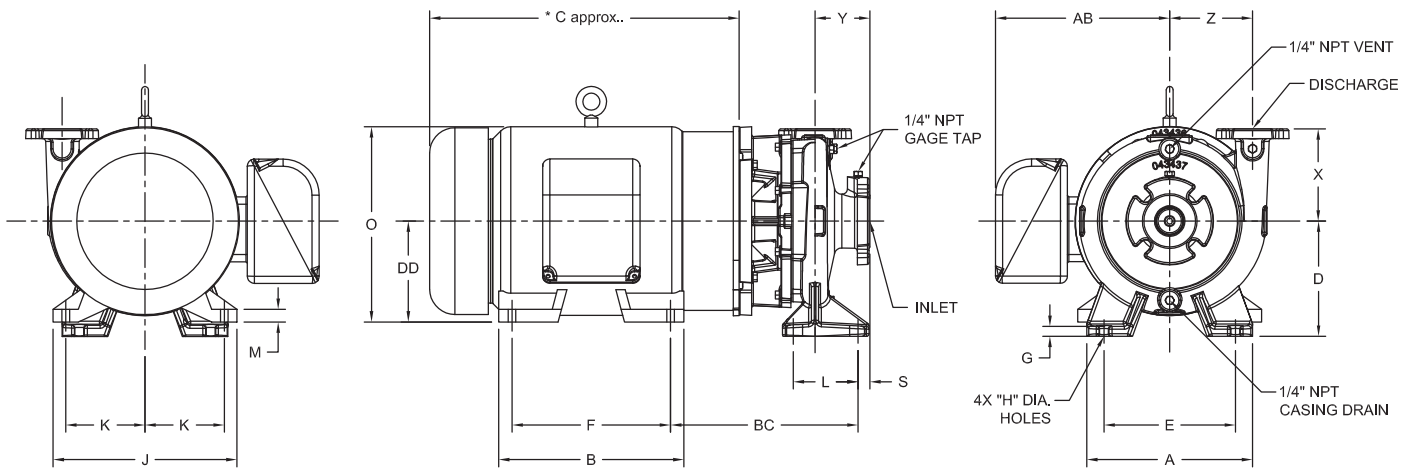


### End Suction Back Pull-Out

PUMP NO.				PUMP:				HP:			
FOR:				TDH:				VOLTS/PHASE:			
CERT. BY:				DATE:				HZ:			
				PUMP SIZE:				FRAME:			
				RPM:				ENCLOSURE:			

#### CONNECTIONS FOR 125# STANDARD FLANGES

Pump	Disch. (INCH)	Inlet (INCH)	A	D	E	G	H	L	S	X	Y	Z
1.5Q	1.5	2.0	11.50	8.00	9.12	0.85	0.62	4.37	0.87	6.50	3.81	5.75



**NOTES:**

- 1) All Dimension  $\pm .13$
- 2) Motor dimensions F, K and DD are NEMA Standard, all other motor dimensions may vary based on motor brand

#### CONNECTIONS FOR 125# STANDARD FLANGES

Motor Frame	B	* C approx	F	J	K	M	O	AB	BC	DD
143JM	5.94	14.30	4.00	7.00	2.75	0.38	7.12	6.26	9.83	3.50
145JM	3.14	15.30	5.00	7.00	2.75	0.38	7.12	6.26	9.83	3.50
182JM	6.50	16.00	4.50	9.00	3.75	0.63	9.34	7.57	10.58	4.50
184JM	6.97	17.02	5.50	9.00	3.75	0.63	9.34	7.57	10.58	4.50
213JM	8.00	21.56	5.50	10.50	4.25	0.67	10.84	8.58	11.46	5.25
215JM	8.86	21.56	7.00	10.50	4.25	0.67	10.84	8.58	11.46	5.25
254JM	11.50	24.37	8.25	12.50	5.00	0.88	12.88	10.48	12.96	6.25
256JM	11.75	26.10	10.00	12.50	5.00	0.88	12.88	10.48	12.96	6.25
284JM	12.84	27.17	9.50	14.00	5.50	1.02	14.63	13.13	12.96	7.00
286JM	13.75	28.70	11.00	14.00	5.50	1.02	14.63	13.13	12.96	7.00
324JM	14.00	28.15	10.50	16.00	6.25	1.30	16.50	14.13	13.46	8.00

# Type "Q"

Models 1.5Q  
Metric (Millimeters)

# WEINMAN®

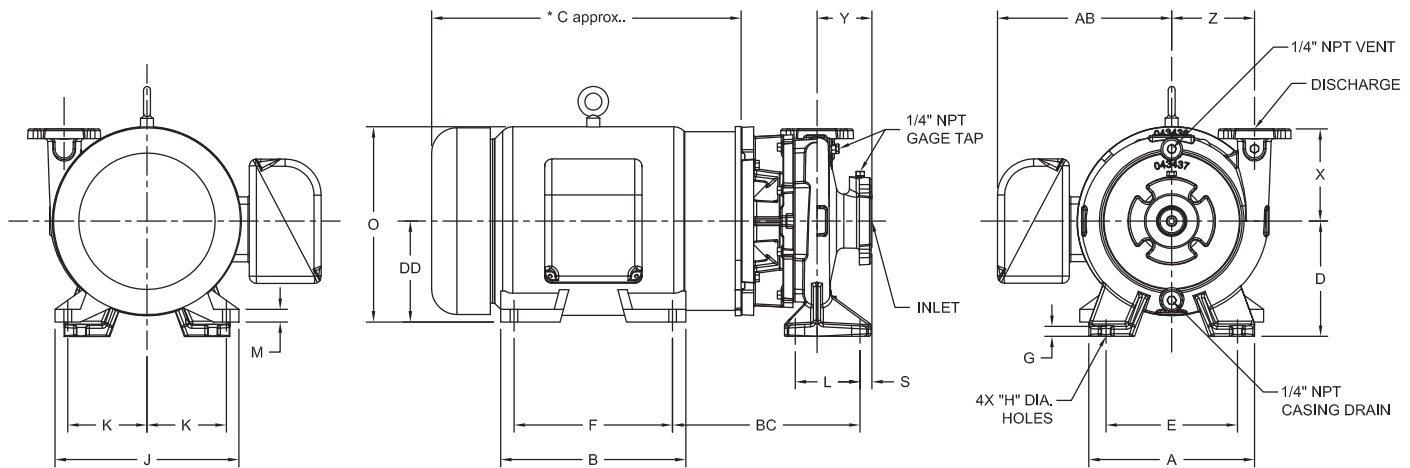
www.cranepumps.com

## End Suction Back Pull-Out

PUMP NO.		PUMP:		HP:	
FOR:		TDH:		VOLTS/PHASE:	
CERT. BY:		GPM:		HZ:	
DATE:		PUMP SIZE:		FRAME:	
		RPM:		ENCLOSURE:	

### CONNECTIONS FOR 125# STANDARD FLANGES

Pump	Disch. (INCH)	Inlet (INCH)	A	D	E	G	H	L	S	X	Y	Z
1.5Q	1.5	2.0	292	203	232	22	16	111	22	165	97	146



#### NOTES:

- 1) All Dimension  $\pm$  3mm
- 2) Motor dimensions F, K and DD are NEMA Standard, all other motor dimensions may vary based on motor brand

### CONNECTIONS FOR 125# STANDARD FLANGES

Motor Frame	B	* C approx	F	J	K	M	O	AB	BC	DD
143JM	151	363	102	178	70	10	181	159	250	89
145JM	80	389	127	178	70	10	181	159	250	89
182JM	165	406	114	229	95	16	237	192	269	114
184JM	177	432	140	229	95	16	237	192	269	114
213JM	203	548	140	267	108	17	275	218	291	133
215JM	225	548	178	267	108	17	275	218	291	133
254JM	292	619	210	318	127	22	327	266	329	159
256JM	298	663	254	318	127	22	327	266	329	159
284JM	326	690	241	356	140	26	372	334	329	178
286JM	349	729	279	356	140	26	372	334	329	178
324JM	356	715	267	406	159	33	419	359	342	203

SECTION 375  
PAGE 52  
DATE 11/16

**CRANE**  
A Crane Co. Company

PUMPS & SYSTEMS

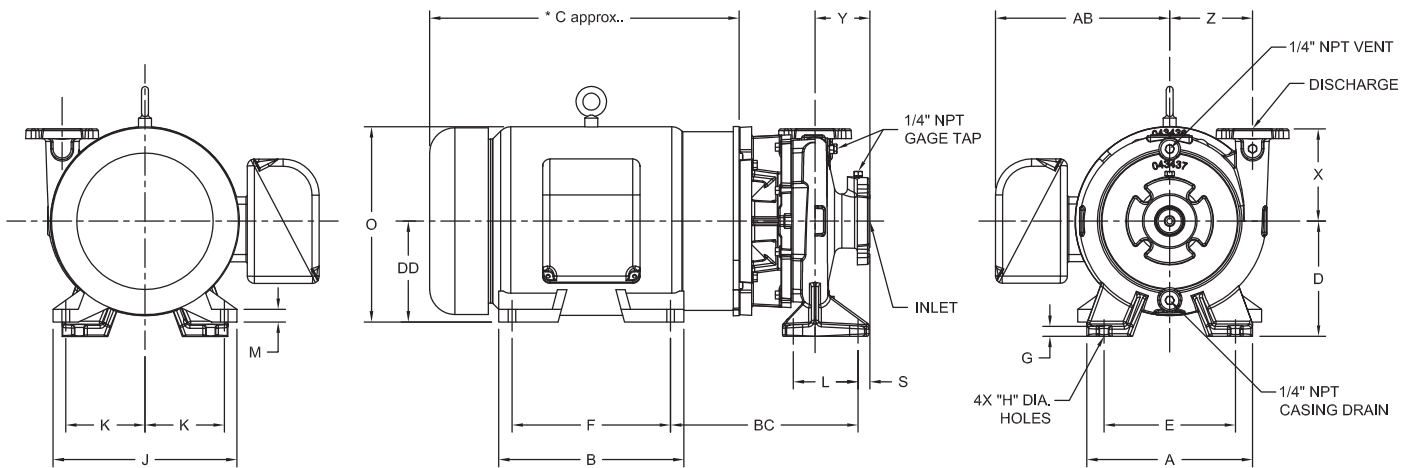
USA: (937) 778-8947 • Canada: (905) 457-6223 • International: (937) 615-3598

### End Suction Back Pull-Out

PUMP NO.				PUMP:				HP:			
FOR:				TDH:				VOLTS/PHASE:			
CERT. BY:				DATE:				HZ:			
				PUMP SIZE:				FRAME:			
				RPM:				ENCLOSURE:			

#### CONNECTIONS FOR 125# STANDARD FLANGES

Pump	Disch. (INCH)	Inlet (INCH)	A	D	E	G	H	L	S	X	Y	Z
2Q	2.00	2.50	11.5	8	9.12	0.85	0.62	4.25	1.25	7	4	5.88



**NOTES:**

- 1) All Dimension  $\pm .13$
- 2) Motor dimensions F, K and DD are NEMA Standard, all other motor dimensions may vary based on motor brand

#### CONNECTIONS FOR 125# STANDARD FLANGES

Motor Frame	B	* C approx	F	J	K	M	O	AB	BC	DD
143JM	5.94	14.30	4.00	7.00	2.75	0.38	7.12	6.26	9.82	3.50
145JM	3.14	15.30	5.00	7.00	2.75	0.38	7.12	6.26	9.82	3.50
182JM	6.50	16.00	4.50	9.00	3.75	0.63	9.34	7.57	10.57	4.50
184JM	6.97	17.02	5.50	9.00	3.75	0.63	9.34	7.57	10.57	4.50
213JM	8.00	21.56	5.50	10.50	4.25	0.67	10.84	8.58	11.57	5.25
215JM	8.86	21.56	7.00	10.50	4.25	0.67	10.84	8.58	11.57	5.25
254JM	11.50	24.37	8.25	12.50	5.00	0.88	12.88	10.48	13.07	6.25
256JM	11.75	26.10	10.00	12.50	5.00	0.88	12.88	10.48	13.07	6.25
284JM	12.84	27.17	9.50	14.00	5.50	1.02	14.63	13.13	13.07	7.00
286JM	13.75	28.70	11.00	14.00	5.50	1.02	14.63	13.13	13.07	7.00
324JM	14.00	28.15	10.50	16.00	6.25	1.30	16.50	14.13	13.57	8.00
326JM	14.57	29.65	12.00	16.00	6.25	1.30	16.50	14.13	13.57	8.00

# Type "Q"

Models 2Q  
Metric (Millimeters)

# WEINMAN®

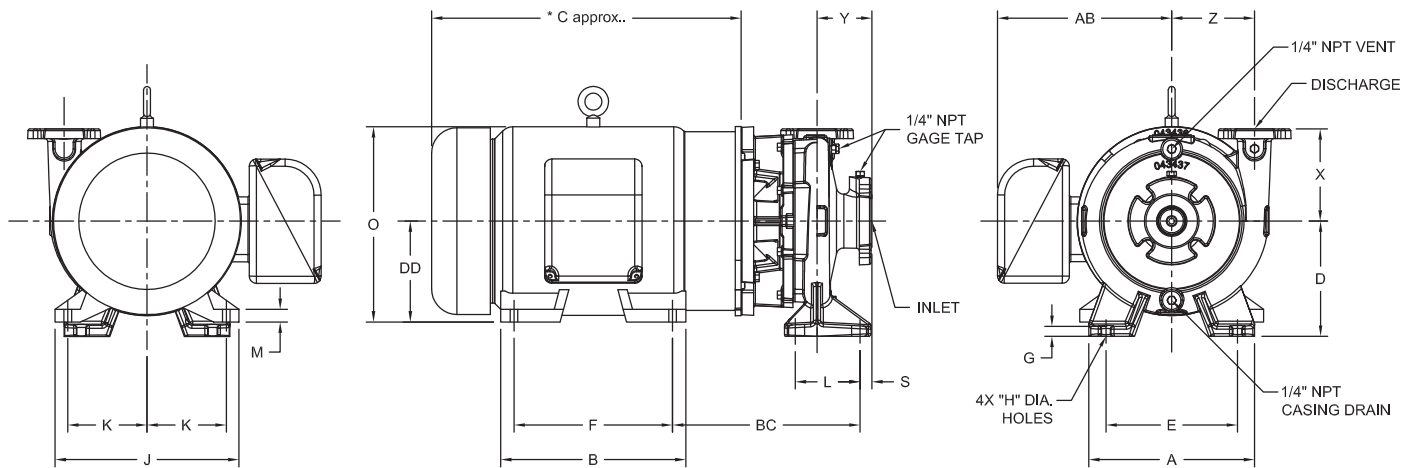
www.cranepumps.com

## End Suction Back Pull-Out

PUMP NO.		PUMP:		HP:	
FOR:		TDH:		VOLTS/PHASE:	
CERT. BY:		GPM:		HZ:	
DATE:		PUMP SIZE:		FRAME:	
		RPM:		ENCLOSURE:	

### CONNECTIONS FOR 125# STANDARD FLANGES

Pump	Disch. (INCH)	Inlet (INCH)	A	D	E	G	H	L	S	X	Y	Z
2Q	2.00	2.50	292	203	232	22	16	108	32	178	102	149



**NOTES:**

- 1) All Dimension  $\pm$  3mm
- 2) Motor dimensions F, K and DD are NEMA Standard, all other motor dimensions may vary based on motor brand

### CONNECTIONS FOR 125# STANDARD FLANGES

Motor Frame	B	* C approx	F	J	K	M	O	AB	BC	DD
143JM	151	363	102	178	70	10	181	159	249	89
145JM	80	389	127	178	70	10	181	159	249	89
182JM	165	406	114	229	95	16	237	192	268	114
184JM	177	432	140	229	95	16	237	192	268	114
213JM	203	548	140	267	108	17	275	218	294	133
215JM	225	548	178	267	108	17	275	218	294	133
254JM	292	619	210	318	127	22	327	266	332	159
256JM	298	663	254	318	127	22	327	266	332	159
284JM	326	690	241	356	140	26	372	334	332	178
286JM	349	729	279	356	140	26	372	334	332	178
324JM	356	715	267	406	159	33	419	359	345	203
326JM	370	753	305	406	159	33	419	359	345	203

SECTION 375  
PAGE 54  
DATE 11/16

**CRANE**  
A Crane Co. Company

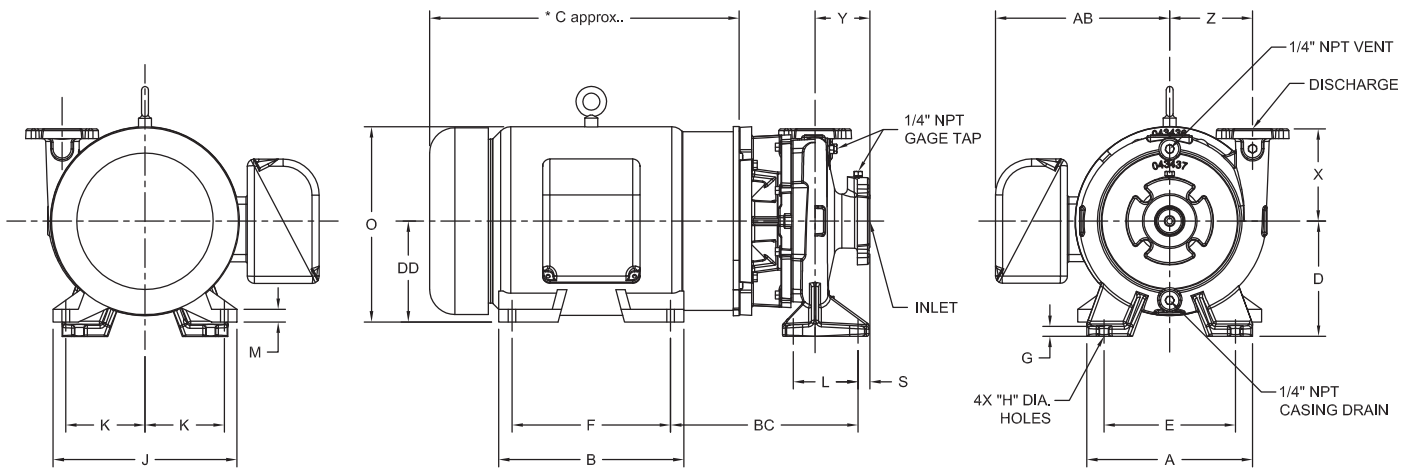
**PUMPS & SYSTEMS**

### End Suction Back Pull-Out

PUMP NO.				PUMP:				HP:			
FOR:				TDH:				VOLTS/PHASE:			
CERT. BY:				DATE:				GPM:			
								FRAME:			
								ENCLOSURE:			

CONNECTIONS FOR 125# STANDARD FLANGES

Pump	Disch. (INCH)	Inlet (INCH)	A	D	E	G	H	L	S	X	Y	Z
2.5Q	2.5	3.0	11.50	8.00	9.12	0.85	0.62	4.37	1.25	6.75	4.00	6.00



NOTES:

- All Dimension  $\pm .13$
- Motor dimensions F, K and DD are NEMA Standard, all other motor dimensions may vary based on motor brand

CONNECTIONS FOR 125# STANDARD FLANGES

Motor Frame	B	* C approx	F	J	K	M	O	AB	BC	DD
143JM	5.94	14.30	4.00	7.00	2.75	0.38	7.12	6.26	9.80	3.50
145JM	3.14	15.30	5.00	7.00	2.75	0.38	7.12	6.26	9.80	3.50
182JM	6.50	16.00	4.50	9.00	3.75	0.63	9.34	7.57	10.55	4.50
184JM	6.97	17.02	5.50	9.00	3.75	0.63	9.34	7.57	10.55	4.50
213JM	8.00	21.56	5.50	10.50	4.25	0.67	10.84	8.58	11.43	5.25
215JM	8.86	21.56	7.00	10.50	4.25	0.67	10.84	8.58	11.43	5.25
254JM	11.50	24.37	8.25	12.50	5.00	0.88	12.88	10.48	12.93	6.25
256JM	11.75	26.10	10.00	12.50	5.00	0.88	12.88	10.48	12.93	6.25
284JM	12.84	27.17	9.50	14.00	5.50	1.02	14.63	13.13	12.93	7.00
286JM	13.75	28.70	11.00	14.00	5.50	1.02	14.63	13.13	12.93	7.00
324JM	14.00	28.15	10.50	16.00	6.25	1.30	16.50	14.13	13.43	8.00
326JM	14.57	29.65	12.00	16.00	6.25	1.30	16.50	14.13	13.43	8.00



# Type "Q"

Models 2.5Q  
Metric (Millimeters)

# WEINMAN®

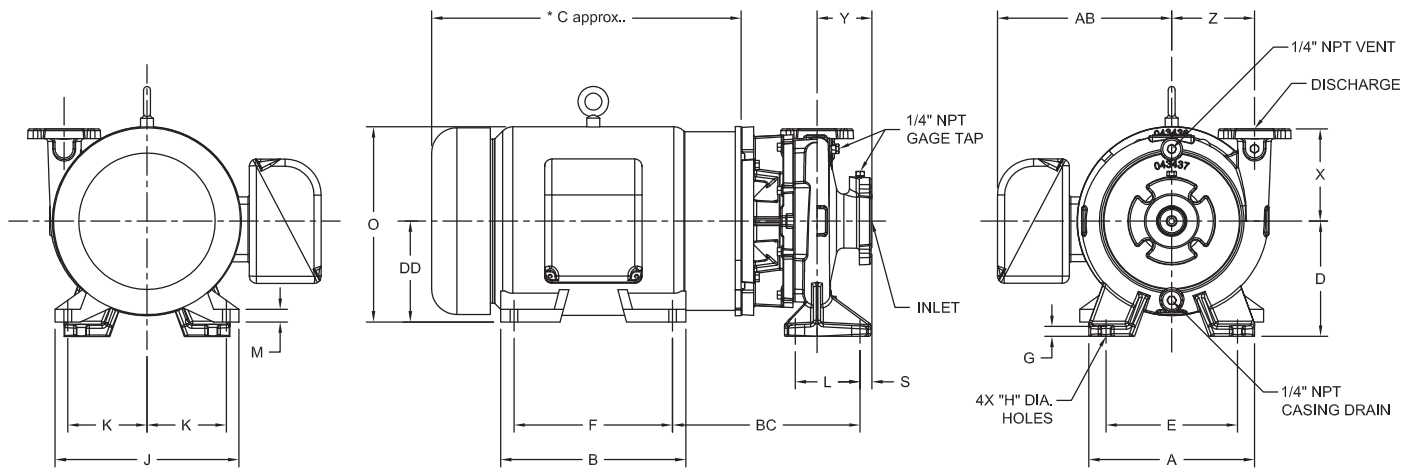
www.cranepumps.com

## End Suction Back Pull-Out

PUMP NO.		PUMP:		HP:	
FOR:		TDH:		VOLTS/PHASE:	
CERT. BY:		GPM:		HZ:	
DATE:		PUMP SIZE:		FRAME:	
		RPM:		ENCLOSURE:	

### CONNECTIONS FOR 125# STANDARD FLANGES

Pump	Disch. (INCH)	Inlet (INCH)	A	D	E	G	H	L	S	X	Y	Z
2.5Q	2.5	3.0	292	203	232	22	16	111	32	171	102	152



**NOTES:**

- 1) All Dimension  $\pm$  3mm
- 2) Motor dimensions F, K and DD are NEMA Standard, all other motor dimensions may vary based on motor brand

### CONNECTIONS FOR 125# STANDARD FLANGES

Motor Frame	B	* C approx	F	J	K	M	O	AB	BC	DD
143JM	151	363	102	178	70	10	181	159	249	89
145JM	80	389	127	178	70	10	181	159	249	89
182JM	165	406	114	229	95	16	237	192	268	114
184JM	177	432	140	229	95	16	237	192	268	114
213JM	203	548	140	267	108	17	275	218	290	133
215JM	225	548	178	267	108	17	275	218	290	133
254JM	292	619	210	318	127	22	327	266	329	159
256JM	298	663	254	318	127	22	327	266	329	159
284JM	326	690	241	356	140	26	372	334	329	178
286JM	349	729	279	356	140	26	372	334	329	178
324JM	356	715	267	406	159	33	419	359	341	203
326JM	370	753	305	406	159	33	419	359	341	203

SECTION 375  
PAGE 56  
DATE 11/16

**CRANE**  
A Crane Co. Company

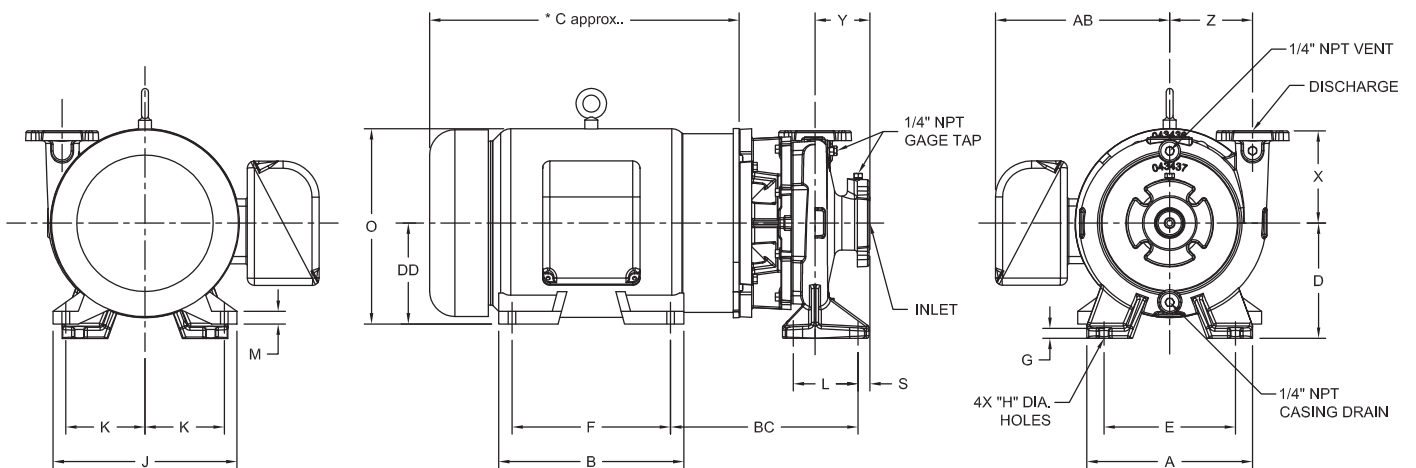
**PUMPS & SYSTEMS**

### End Suction Back Pull-Out

<b>PUMP NO.</b>				<b>PUMP:</b>				<b>HP:</b>			
<b>FOR:</b>				<b>TDH:</b>				<b>VOLTS/PHASE:</b>			
<b>CERT. BY:</b>				<b>DATE:</b>				<b>HZ:</b>			
				<b>PUMP SIZE:</b>				<b>FRAME:</b>			
				<b>RPM:</b>				<b>ENCLOSURE:</b>			

**CONNECTIONS FOR 125# STANDARD FLANGES**

Pump	Disch. (INCH)	Inlet (INCH)	A	D	E	G	H	L	S	X	Y	Z
3Q	3.0	4.0	11.50	8.00	9.13	0.85	0.62	4.37	2.19	7.50	4.75	6.13



**NOTES:**

- 1) All Dimension  $\pm .13$
- 2) Motor dimensions F, K and DD are NEMA Standard, all other motor dimensions may vary based on motor brand

**CONNECTIONS FOR 125# STANDARD FLANGES**

Motor Frame	B	* C approx	F	J	K	M	O	AB	BC	DD
143JM	5.94	14.30	4.00	7.00	2.75	0.38	7.12	6.26	9.93	3.50
145JM	3.14	15.30	5.00	7.00	2.75	0.38	7.12	6.26	9.93	3.50
182JM	6.50	16.00	4.50	9.00	3.75	0.63	9.34	7.57	10.68	4.50
184JM	6.97	17.02	5.50	9.00	3.75	0.63	9.34	7.57	10.68	4.50
213JM	8.00	21.56	5.50	10.50	4.25	0.67	10.84	8.58	11.56	5.25
215JM	8.86	21.56	7.00	10.50	4.25	0.67	10.84	8.58	11.56	5.25
254JM	11.50	24.37	8.25	12.50	5.00	0.88	12.88	10.48	12.18	6.25
256JM	11.75	26.10	10.00	12.50	5.00	0.88	12.88	10.48	12.18	6.25
284JM	12.84	27.17	9.50	14.00	5.50	1.02	14.63	13.13	12.18	7.00
286JM	13.75	28.70	11.00	14.00	5.50	1.02	14.63	13.13	12.18	7.00
324JM	14.00	28.15	10.50	16.00	6.25	1.30	16.50	14.13	12.67	8.00
326JM	14.57	29.65	12.00	16.00	6.25	1.30	16.50	14.13	12.67	8.00

# Type "Q"

Models 3Q  
Metric (Millimeters)

# WEINMAN®

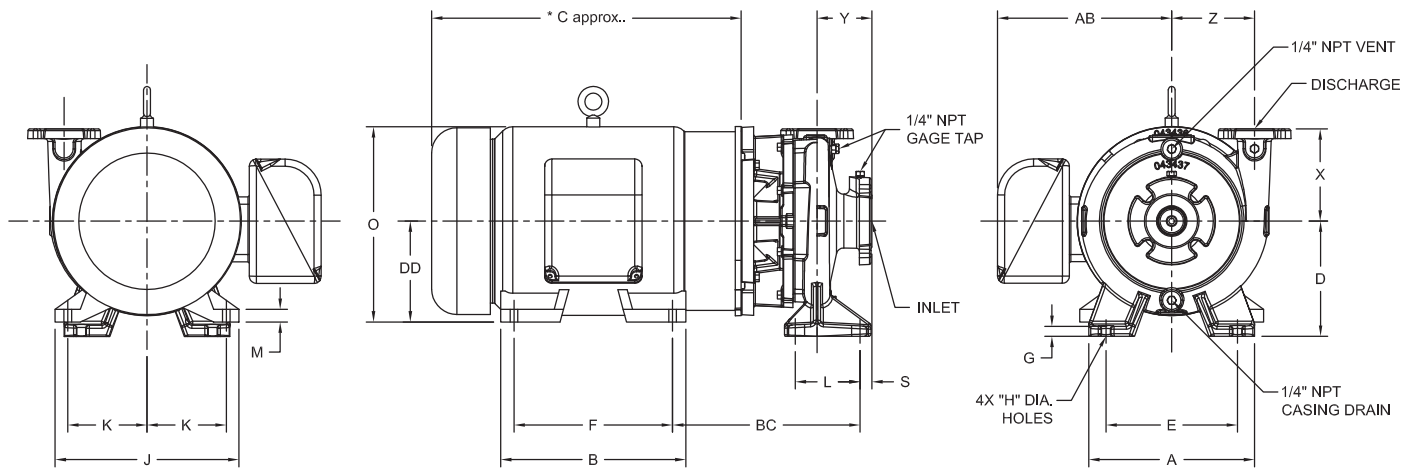
www.cranepumps.com

## End Suction Back Pull-Out

PUMP NO.		PUMP:		HP:	
FOR:		TDH:		VOLTS/PHASE:	
CERT. BY:		GPM:		HZ:	
DATE:		PUMP SIZE:		FRAME:	
		RPM:		ENCLOSURE:	

### CONNECTIONS FOR 125# STANDARD FLANGES

Pump	Disch. (INCH)	Inlet (INCH)	A	D	E	G	H	L	S	X	Y	Z
3Q	3.0	4.0	292	203	232	22	16	111	56	191	121	156



**NOTES:**

- 1) All Dimension  $\pm 3\text{mm}$
- 2) Motor dimensions F, K and DD are NEMA Standard, all other motor dimensions may vary based on motor brand

### CONNECTIONS FOR 125# STANDARD FLANGES

Motor Frame	B	* C approx	F	J	K	M	O	AB	BC	DD
143JM	151	363	102	178	70	10	181	159	252	89
145JM	80	389	127	178	70	10	181	159	252	89
182JM	165	406	114	229	95	16	237	192	271	114
184JM	177	432	140	229	95	16	237	192	271	114
213JM	203	548	140	267	108	17	275	218	294	133
215JM	225	548	178	267	108	17	275	218	294	133
254JM	292	619	210	318	127	22	327	266	310	159
256JM	298	663	254	318	127	22	327	266	310	159
284JM	326	690	241	356	140	26	372	334	310	178
286JM	349	729	279	356	140	26	372	334	310	178
324JM	356	715	267	406	159	33	419	359	322	203
326JM	370	753	305	406	159	33	419	359	322	203

SECTION 375  
PAGE 58  
DATE 11/16

**CRANE**  
A Crane Co. Company

**PUMPS & SYSTEMS**

A Crane Co. Company

USA: (937) 778-8947 • Canada: (905) 457-6223 • International: (937) 615-3598

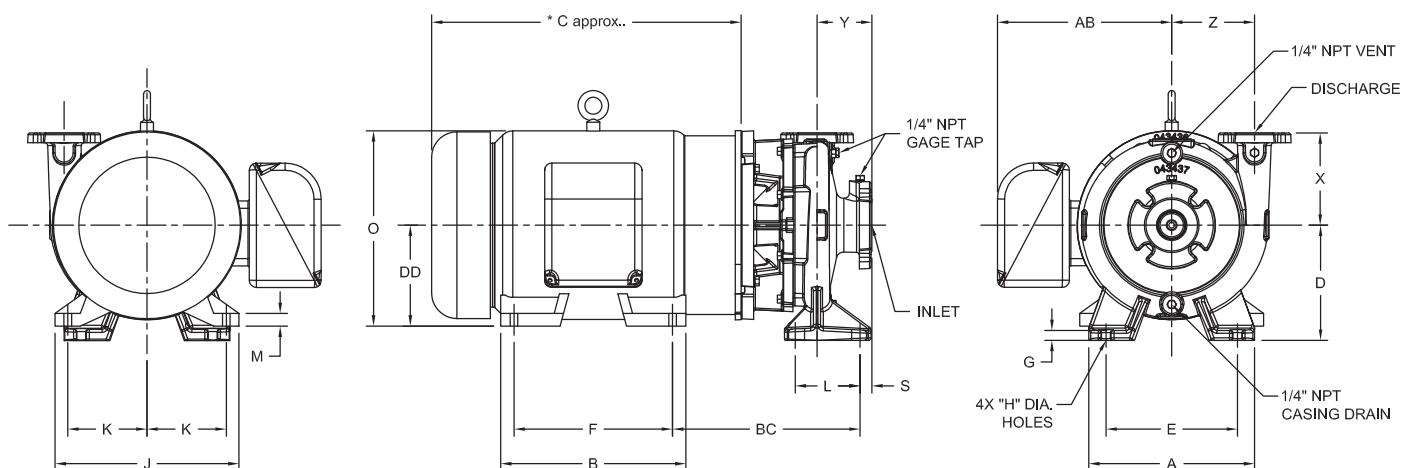


### End Suction Back Pull-Out

PUMP NO.		PUMP:		HP:	
FOR:		TDH:		VOLTS/PHASE:	
CERT. BY:		GPM:		HZ:	
DATE:		PUMP SIZE:		FRAME:	
		RPM:		ENCLOSURE:	

#### CONNECTIONS FOR 125# STANDARD FLANGES

Pump	Disch. (INCH)	Inlet (INCH)	A	D	E	G	H	L	S	X	Y	Z
4Q	4.0	5.0	11.50	10.00	9.12	0.85	0.62	4.37	2.50	8.00	5.00	7.00



**NOTES:**

- 1) All Dimension  $\pm .13$
- 2) Motor dimensions F, K and DD are NEMA Standard, all other motor dimensions may vary based on motor brand

#### CONNECTIONS FOR 125# STANDARD FLANGES

Motor Frame	B	* C approx	F	J	K	M	O	AB	BC	DD
143JM	5.94	14.30	4.00	7.00	2.75	0.38	7.12	6.26	9.89	3.50
145JM	3.14	15.30	5.00	7.00	2.75	0.38	7.12	6.26	9.89	3.50
182JM	6.50	16.00	4.50	9.00	3.75	0.63	9.34	7.57	10.64	4.50
184JM	6.97	17.02	5.50	9.00	3.75	0.63	9.34	7.57	10.64	4.50
213JM	8.00	21.56	5.50	10.50	4.25	0.67	10.84	8.58	11.52	5.25
215JM	8.86	21.56	7.00	10.50	4.25	0.67	10.84	8.58	11.52	5.25
254JM	11.50	24.37	8.25	12.50	5.00	0.88	12.88	10.48	12.14	6.25
256JM	11.75	26.10	10.00	12.50	5.00	0.88	12.88	10.48	12.14	6.25
284JM	12.84	27.17	9.50	14.00	5.50	1.02	14.63	13.13	13.02	7.00
286JM	13.75	28.70	11.00	14.00	5.50	1.02	14.63	13.13	13.02	7.00
324JM	14.00	28.15	10.50	16.00	6.25	1.30	16.50	14.13	13.52	8.00

# Type "Q"

Models 4Q  
Metric (Millimeters)

# WEINMAN®

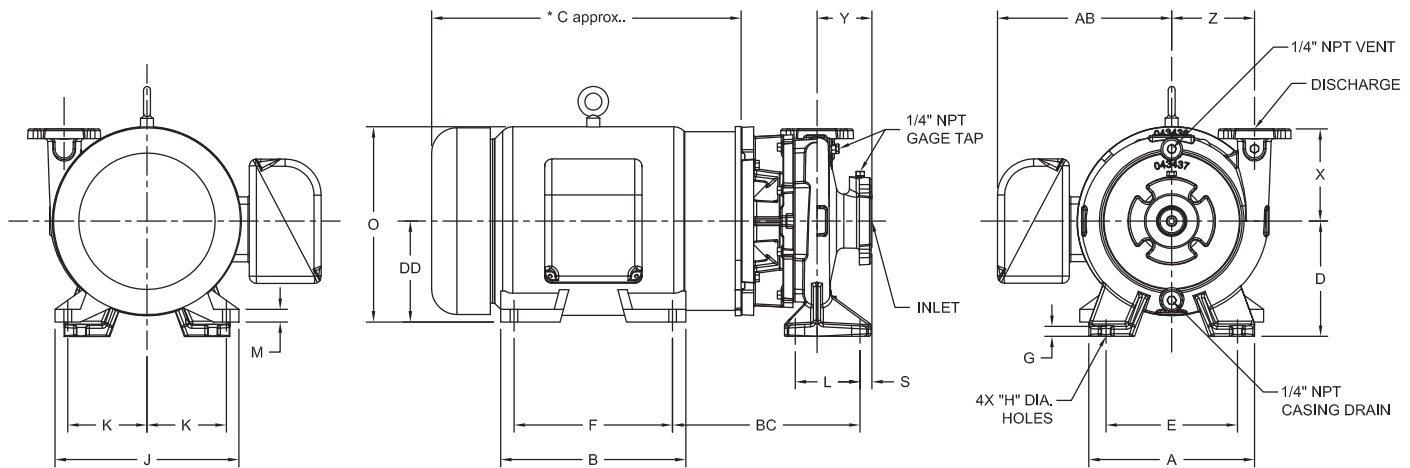
www.cranepumps.com

## End Suction Back Pull-Out

PUMP NO.		PUMP:		HP:	
FOR:		TDH:		VOLTS/PHASE:	
CERT. BY:		GPM:		HZ:	
DATE:		PUMP SIZE:		FRAME:	
		RPM:		ENCLOSURE:	

### CONNECTIONS FOR 125# STANDARD FLANGES

Pump	Disch. (INCH)	Inlet (INCH)	A	D	E	G	H	L	S	X	Y	Z
4Q	4.0	5.0	292	254	232	22	16	111	64	203	127	178



#### NOTES:

- 1) All Dimension  $\pm$  3mm
- 2) Motor dimensions F, K and DD are NEMA Standard, all other motor dimensions may vary based on motor brand

### CONNECTIONS FOR 125# STANDARD FLANGES

Motor Frame	B	* C approx	F	J	K	M	O	AB	BC	DD
143JM	151	363	102	178	70	10	181	159	251	89
145JM	80	389	127	178	70	10	181	159	251	89
182JM	165	406	114	229	95	16	237	192	270	114
184JM	177	432	140	229	95	16	237	192	270	114
213JM	203	548	140	267	108	17	275	218	293	133
215JM	225	548	178	267	108	17	275	218	293	133
254JM	292	619	210	318	127	22	327	266	308	159
256JM	298	663	254	318	127	22	327	266	308	159
284JM	326	690	241	356	140	26	372	334	331	178
286JM	349	729	279	356	140	26	372	334	331	178
324JM	356	715	267	406	159	33	419	359	343	203

SECTION 375  
PAGE 60  
DATE 11/16

**CRANE**  
A Crane Co. Company

PUMPS & SYSTEMS

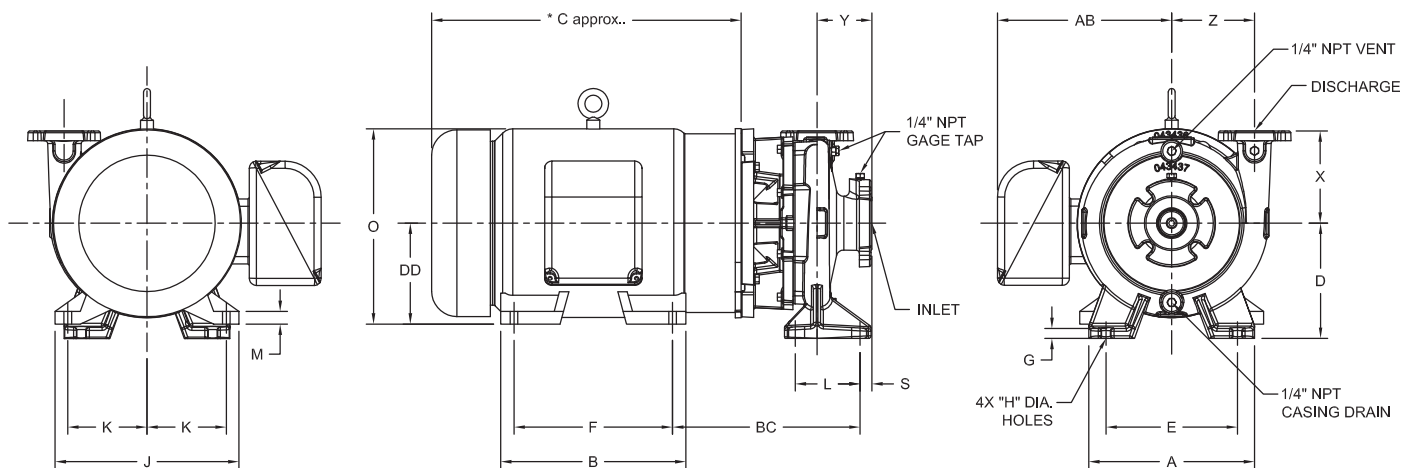
USA: (937) 778-8947 • Canada: (905) 457-6223 • International: (937) 615-3598

### End Suction Back Pull-Out

PUMP NO.				PUMP:				HP:			
FOR:				TDH:				VOLTS/PHASE:			
CERT. BY:				DATE:				HZ:			
				PUMP SIZE:				FRAME:			
				RPM:				ENCLOSURE:			

#### CONNECTIONS FOR 125# STANDARD FLANGES

Pump	Disch. (INCH)	Inlet (INCH)	A	D	E	G	H	L	S	X	Y	Z
5Q	5.0	6.0	16.50	11.00	14.00	0.85	0.62	5.00	3.19	10.00	6.00	7.50



**NOTES:**

- 1) All Dimension  $\pm .13$
- 2) Motor dimensions F, K and DD are NEMA Standard, all other motor dimensions may vary based on motor brand

#### CONNECTIONS FOR 125# STANDARD FLANGES

Motor Frame	B	* C approx	F	J	K	M	O	AB	BC	DD
143JM	5.94	14.30	4.00	7.00	2.75	0.38	7.12	6.26	10.83	3.50
145JM	3.14	15.30	5.00	7.00	2.75	0.38	7.12	6.26	10.83	3.50
182JM	6.50	16.00	4.50	9.00	3.75	0.63	9.34	7.57	11.58	4.50
184JM	6.97	17.02	5.50	9.00	3.75	0.63	9.34	7.57	11.58	4.50
213JM	8.00	21.56	5.50	10.50	4.25	0.67	10.84	8.58	12.46	5.25
215JM	8.86	21.56	7.00	10.50	4.25	0.67	10.84	8.58	12.46	5.25
254JM	11.50	24.37	8.25	12.50	5.00	0.88	12.88	10.48	13.08	6.25
256JM	11.75	26.10	10.00	12.50	5.00	0.88	12.88	10.48	13.08	6.25
284JM	12.84	27.17	9.50	14.00	5.50	1.02	14.63	13.13	13.08	7.00
286JM	13.75	28.70	11.00	14.00	5.50	1.02	14.63	13.13	13.08	7.00
324JM	14.00	28.15	10.50	16.00	6.25	1.30	16.50	14.13	13.58	8.00

# Type "Q"

Models 5Q  
Metric (Millimeters)

# WEINMAN®

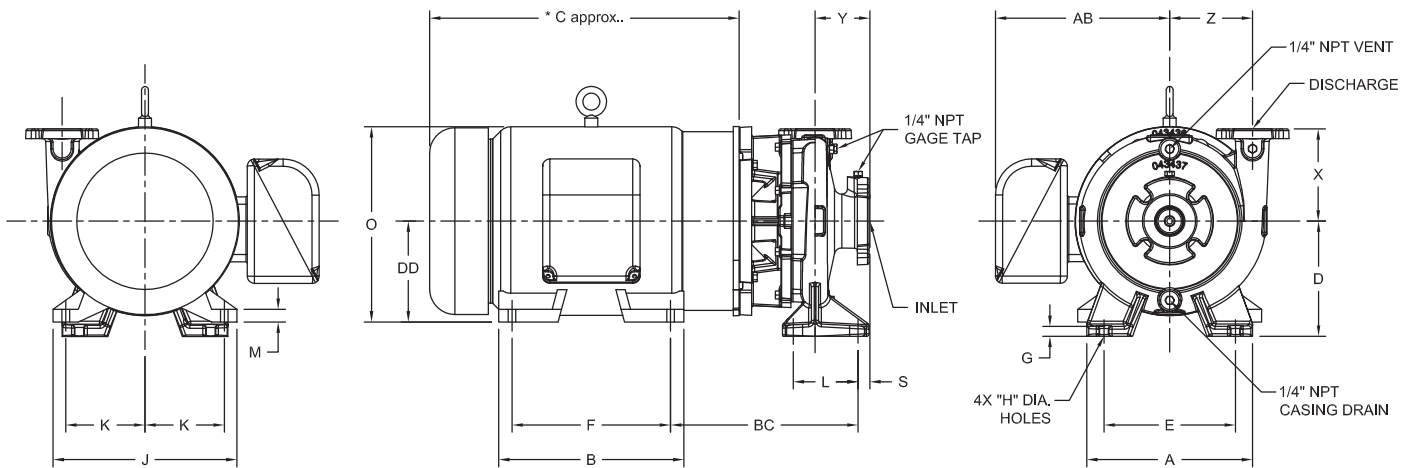
www.cranepumps.com

## End Suction Back Pull-Out

PUMP NO.		PUMP:		HP:	
FOR:		TDH:		VOLTS/PHASE:	
CERT. BY:		GPM:		HZ:	
DATE:		PUMP SIZE:		FRAME:	
		RPM:		ENCLOSURE:	

### CONNECTIONS FOR 125# STANDARD FLANGES

Pump	Disch. (INCH)	Inlet (INCH)	A	D	E	G	H	L	S	X	Y	Z
5Q	5.0	6.0	419	279	356	22	16	127	81	254	152	191



**NOTES:**

- 1) All Dimension  $\pm$  3mm
- 2) Motor dimensions F, K and DD are NEMA Standard, all other motor dimensions may vary based on motor brand

### CONNECTIONS FOR 125# STANDARD FLANGES

Motor Frame	B	* C approx	F	J	K	M	O	AB	BC	DD
143JM	151	363	102	178	70	10	181	159	275	89
145JM	80	389	127	178	70	10	181	159	275	89
182JM	165	406	114	229	95	16	237	192	294	114
184JM	177	432	140	229	95	16	237	192	294	114
213JM	203	548	140	267	108	17	275	218	316	133
215JM	225	548	178	267	108	17	275	218	316	133
254JM	292	619	210	318	127	22	327	266	332	159
256JM	298	663	254	318	127	22	327	266	332	159
284JM	326	690	241	356	140	26	372	334	332	178
286JM	349	729	279	356	140	26	372	334	332	178
324JM	356	715	267	406	159	33	419	359	345	203

SECTION 375  
PAGE 62  
DATE 11/16

**CRANE**  
A Crane Co. Company

**PUMPS & SYSTEMS**

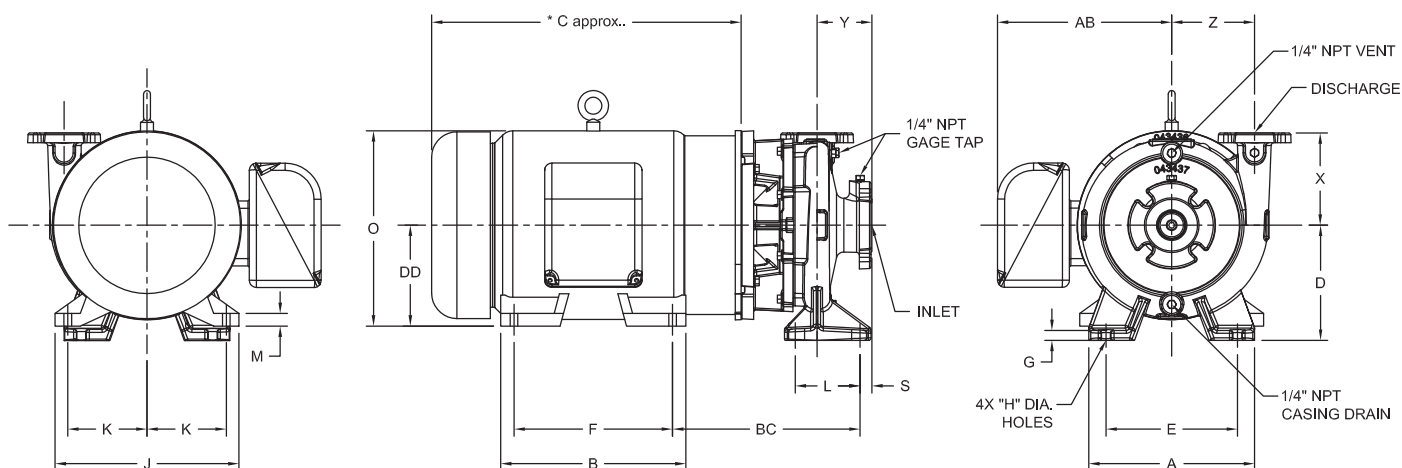
USA: (937) 778-8947 • Canada: (905) 457-6223 • International: (937) 615-3598

### End Suction Back Pull-Out

PUMP NO.		PUMP:		HP:	
FOR:		TDH:		VOLTS/PHASE:	
CERT. BY:		GPM:		HZ:	
DATE:		PUMP SIZE:		FRAME:	
		RPM:		ENCLOSURE:	

#### CONNECTIONS FOR 125# STANDARD FLANGES

Pump	Disch. (INCH)	Inlet (INCH)	A	D	E	G	H	L	S	X	Y	Z
6Q	6.0	8.0	16.50	11.00	14.00	0.97	0.62	5.00	5.13	10.50	7.00	8.25



**NOTES:**

- 1) All Dimension  $\pm .13$
- 2) Motor dimensions F, K and DD are NEMA Standard, all other motor dimensions may vary based on motor brand

#### CONNECTIONS FOR 125# STANDARD FLANGES

Motor Frame	B	* C approx	F	J	K	M	O	AB	BC	DD
215JM	8.86	21.56	7.00	10.50	4.25	0.67	10.84	8.58	11.45	5.25
254JM	11.50	24.37	8.25	12.50	5.00	0.88	12.88	10.48	12.07	6.25
256JM	11.75	26.10	10.00	12.50	5.00	0.88	12.88	10.48	12.07	6.25
284JM	12.84	27.17	9.50	14.00	5.50	1.02	14.63	13.13	12.07	7.00
286JM	13.75	28.70	11.00	14.00	5.50	1.02	14.63	13.13	12.07	7.00
324JM	14.00	28.15	10.50	16.00	6.25	1.30	16.50	14.13	12.57	8.00

# Type "Q"

Models 6Q  
Metric (Millimeters)

# WEINMAN®

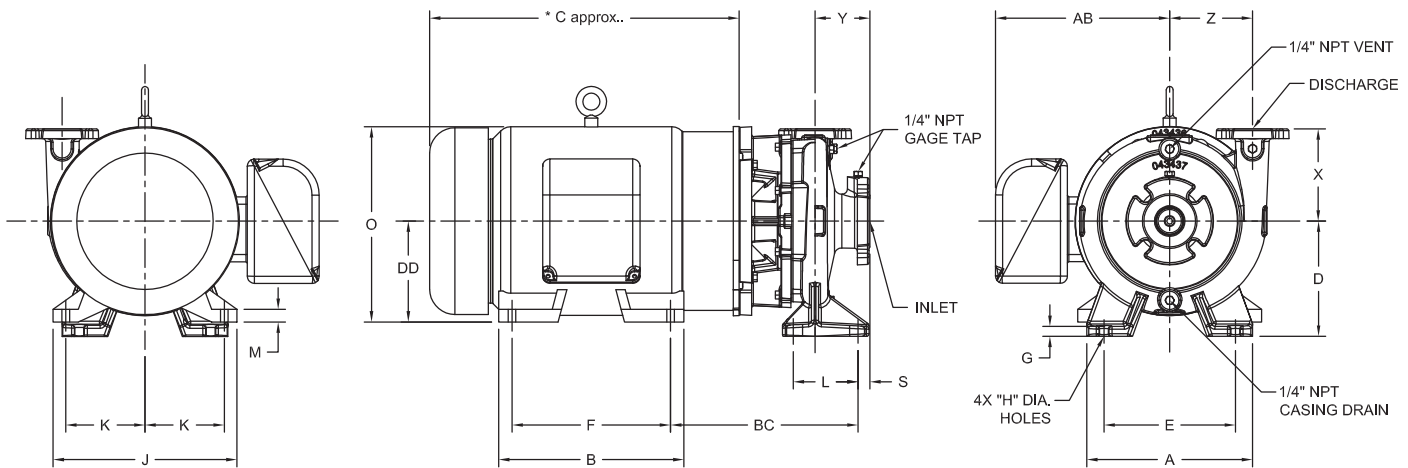
www.cranepumps.com

## End Suction Back Pull-Out

PUMP NO.		PUMP:		HP:	
FOR:		TDH:		VOLTS/PHASE:	
CERT. BY:		GPM:		HZ:	
DATE:		PUMP SIZE:		FRAME:	
		RPM:		ENCLOSURE:	

### CONNECTIONS FOR 125# STANDARD FLANGES

Pump	Disch. (INCH)	Inlet (INCH)	A	D	E	G	H	L	S	X	Y	Z
6Q	6.0	8.0	419	279	356	25	16	127	130	267	178	210



**NOTES:**

- 1) All Dimension  $\pm 3\text{mm}$
- 2) Motor dimensions F, K and DD are NEMA Standard, all other motor dimensions may vary based on motor brand

### CONNECTIONS FOR 125# STANDARD FLANGES

Motor Frame	B	* C approx	F	J	K	M	O	AB	BC	DD
215JM	225	548	178	267	108	17	275	218	291	133
254JM	292	619	210	318	127	22	327	266	307	159
256JM	298	663	254	318	127	22	327	266	307	159
284JM	326	690	241	356	140	26	372	334	307	178
286JM	349	729	279	356	140	26	372	334	307	178
324JM	356	715	267	406	159	33	419	359	319	203

SECTION 375  
PAGE 64  
DATE 11/16

**CRANE**  
A Crane Co. Company

**PUMPS & SYSTEMS**

USA: (937) 778-8947 • Canada: (905) 457-6223 • International: (937) 615-3598