

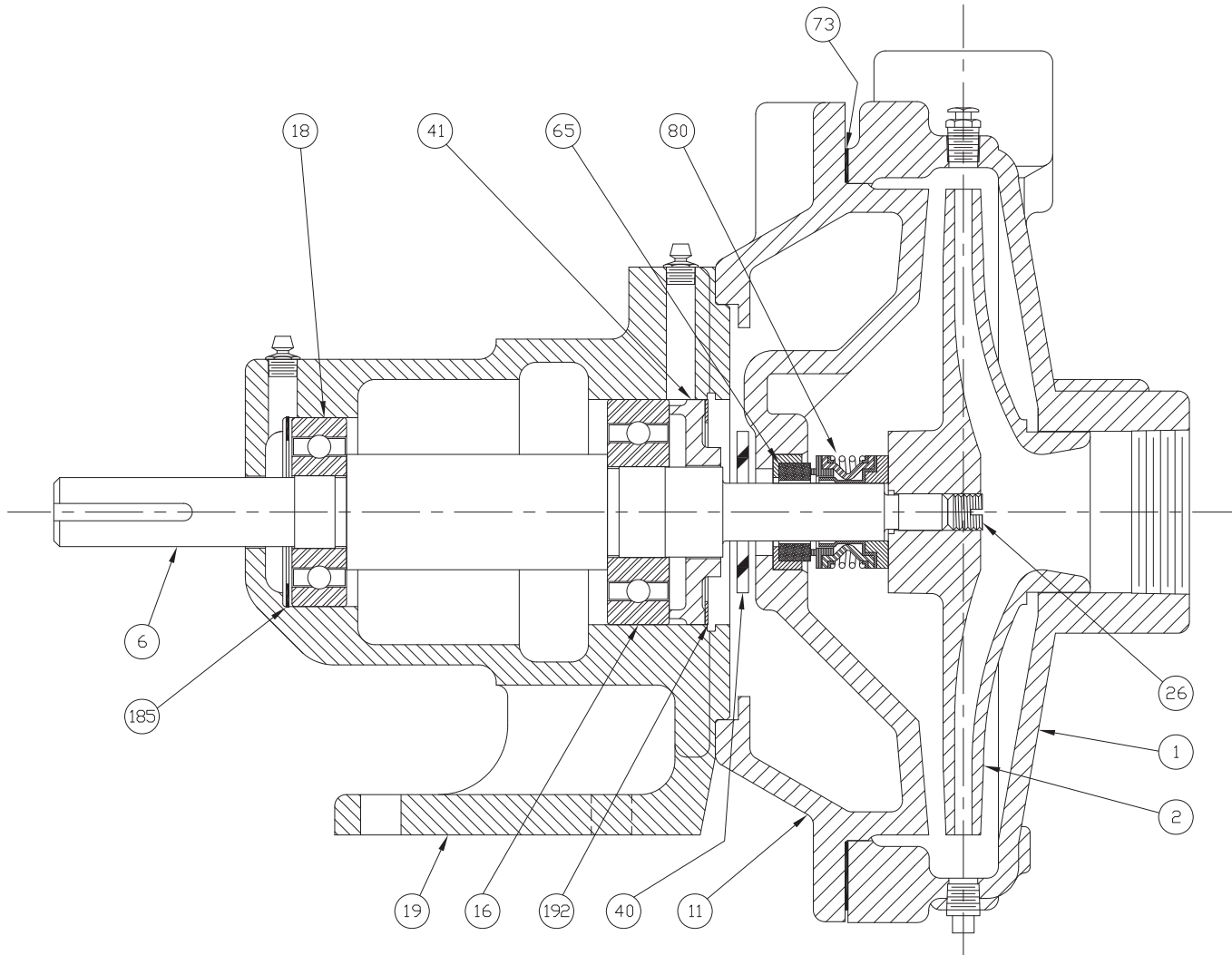
Pump Assembly

Types AC & AE Unipumps
with Type 6 Mechanical Shaft Seal, B6 Frame - Bulletin 200

WEINMAN®

www.cranepumps.com

Frame Mounted End Suction, Threaded Connections



Item No.	Part Name	Material	Item No.	Part Name	Material
1	Casing	Cast Iron	40	Deflector (Liquid)	Neoprene
* 2	Impeller	Bronze	41	Bearing Cap	Cast Iron
* 6	Shaft	416 Stainless	†* 65	Mech. Shaft Seal (Stationay Element)	Ni-Resist
11	Casing Cover	Cast Iron	* 73	Casing Gasket	Cork-Cellulose
* 16	Bearing (Inboard)	Steel	†* 80	Mech. Shaft Seal (Rotating Element)	Carbon
* 18	Bearing (Outboard)	Steel	185	Spring Washer	Steel
19	Frame	Cast Iron	* 192	Retaining Ring	Steel
* 26	Impeller Screw	Stainless			

* For Domestic Service we recommend these parts be carried in stock as spares.

† Furnished only in pairs as complete units.

NOTE: All pumps have a maximum working pressure - 125 PSIG.



WARNING:

CANCER AND REPRODUCTIVE HARM -
WWW.P65WARNINGS.CA.GOV

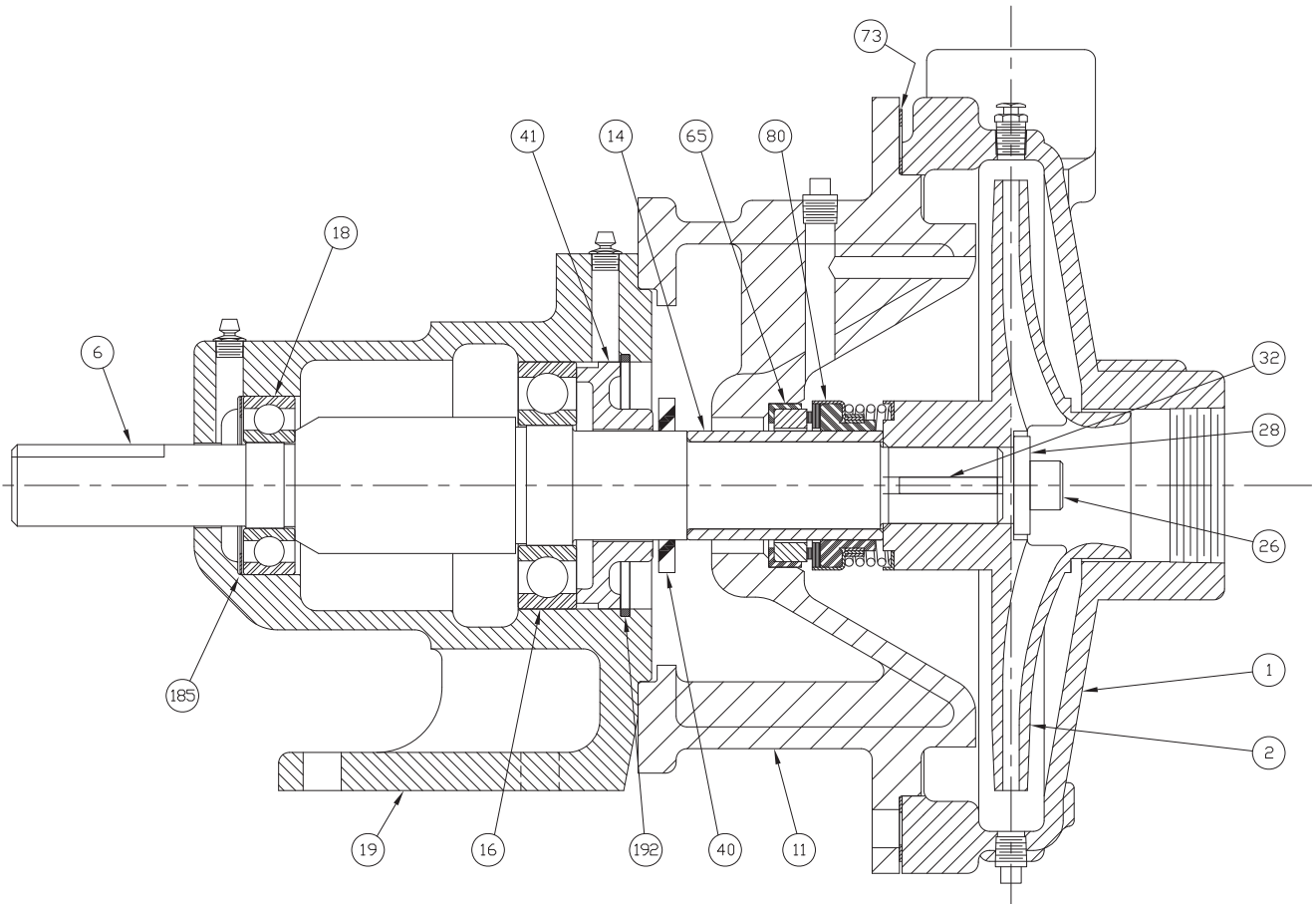
SECTION 200
PAGE 4
DATE 10/18

CRANE
A Crane Co. Company

PUMPS & SYSTEMS

USA: (937) 778-8947 • Canada: (905) 457-6223 • International: (937) 615-3598

Frame Mounted End Suction, Threaded Connections



Item No.	Part Name	Material	Item No.	Part Name	Material
1	Casing	Cast Iron	* 32	Impeller Key	Stainless
* 2	Impeller	Bronze	40	Deflector (Liquid)	Neoprene
* 6	Shaft	416 Stainless	41	Bearing Cap	Cast Iron
11	Casing Cover	Cast Iron	†* 65	Mech. Shaft Seal (Stationary Element)	Ni-Resist
* 14	Shaft Sleeve	Bronze	* 73	Casing Gasket	Cork-Cellulose
* 16	Bearing (Inboard)	Steel	†* 80	Mech. Shaft Seal (Rotating Element)	Carbon
* 18	Bearing (Outboard)	Steel	185	Spring Washer	Steel
19	Frame	Cast Iron	* 192	Retaining Ring	Steel
* 26	Impeller Screw	Stainless			
* 28	Impeller Screw Washer	Stainless			

* For Domestic Service we recommend these parts be carried in stock as spares.

† Furnished only in pairs as complete units.

NOTE: All pumps have a maximum working pressure - 125 PSIG.



WARNING:

CANCER AND REPRODUCTIVE HARM -
WWW.P65WARNINGS.CA.GOV