

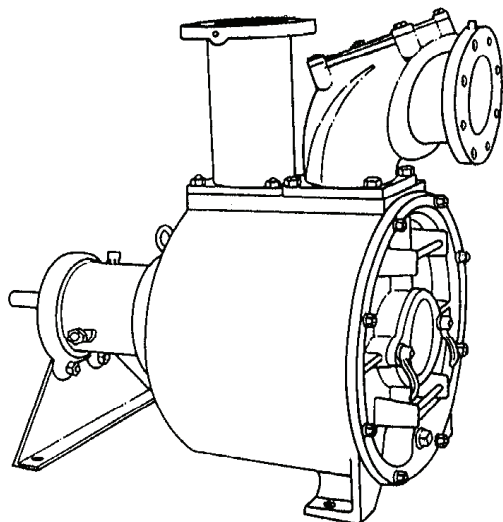
Model: PO6LC

3" Spherical Solids Handling
Universal Drive



Self-Priming, Solids Handling Pumps

Specifications:



SUCTION/DISCHARGE6" (152mm) x 6" (152mm) 125 lb. Flange
LIQUID TEMPERATURE160°F (71°C) Continuous
VOLUTE/WEARPLATECast Iron ASTM A-48, Class 30 Replaceable External Clearance Adjustment
CASE	Cast Iron ASTM A-48, Class 30
END COVER	Cast Iron ASTM A-48, Class 30 Full Diameter, Removable
SEAL PLATEAlloy Steel, Replaceable
PEDESTAL	Cast Iron ASTM A-48, Class 30
IMPELLER: DesignTwo Vane, Open. Dynamically Balanced, ISO G6.3
<i>Material</i>Ductile Iron ASTM A-395
SHAFTHigh Carbon Steel
SHAFT SLEEVE316 Stainless Steel
SQUARE RINGSBuna-N
HARDWARECorrosion Resistant Steel
PAINTAir Dry Enamel.
SEAL:	
<i>Design</i>Single Mechanical
<i>Lubrication</i>Grease, with Self-Feeding Lubricator
<i>Material</i>Rotating Faces - Carbon Stationary Faces - Ceramic Elastomer - Buna-N Hardware -300 Series Stainless
BEARING - PUMP END:	
<i>Design</i>Single Row, Ball, Oil Lubricated
<i>Load</i>Radial & Thrust
BEARING - DRIVE END:	
<i>Design</i>Single Row, Ball, Oil Lubricated
<i>Load</i>Radial & Thrust
CHECK VALVE:	
<i>Material</i>Elbow - Cast Iron ASTM A-48, Class 30 Valve Flap - Neoprene Weight - Cast Iron ASTM A-48, Class 30

OPTIONAL EQUIPMENT.....Seal Materials, Case Heater, Stainless Hardware; Double Mechanical Seal, Oil Lubricated w/Pressure Compensating Lubricator; High Temperature Control; Flex Coupled Assy. with Base & OSHA Guard; Right Hand V-Belt Drive Assy. and Left Hand V-Belt Drive Assy., In-Line Vertical V-Belt Drive Assy., with Unit Base, Motor Adjusting Base & OSHA Guard

**Model: PO6LC-14X
PO6LC-13B**

Sample Specifications: Section 4 Page 7-8.

DESCRIPTION:

SELF-PRIMING CENTRIFUGAL SOLIDS HANDLING PUMPS DESIGNED FOR MUNICIPAL AND INDUSTRIAL APPLICATIONS.



WARNING:
CANCER AND REPRODUCTIVE HARM -
WWW.P65WARNINGS.CA.GOV

SECTION 4A
PAGE 34
DATE 12/18

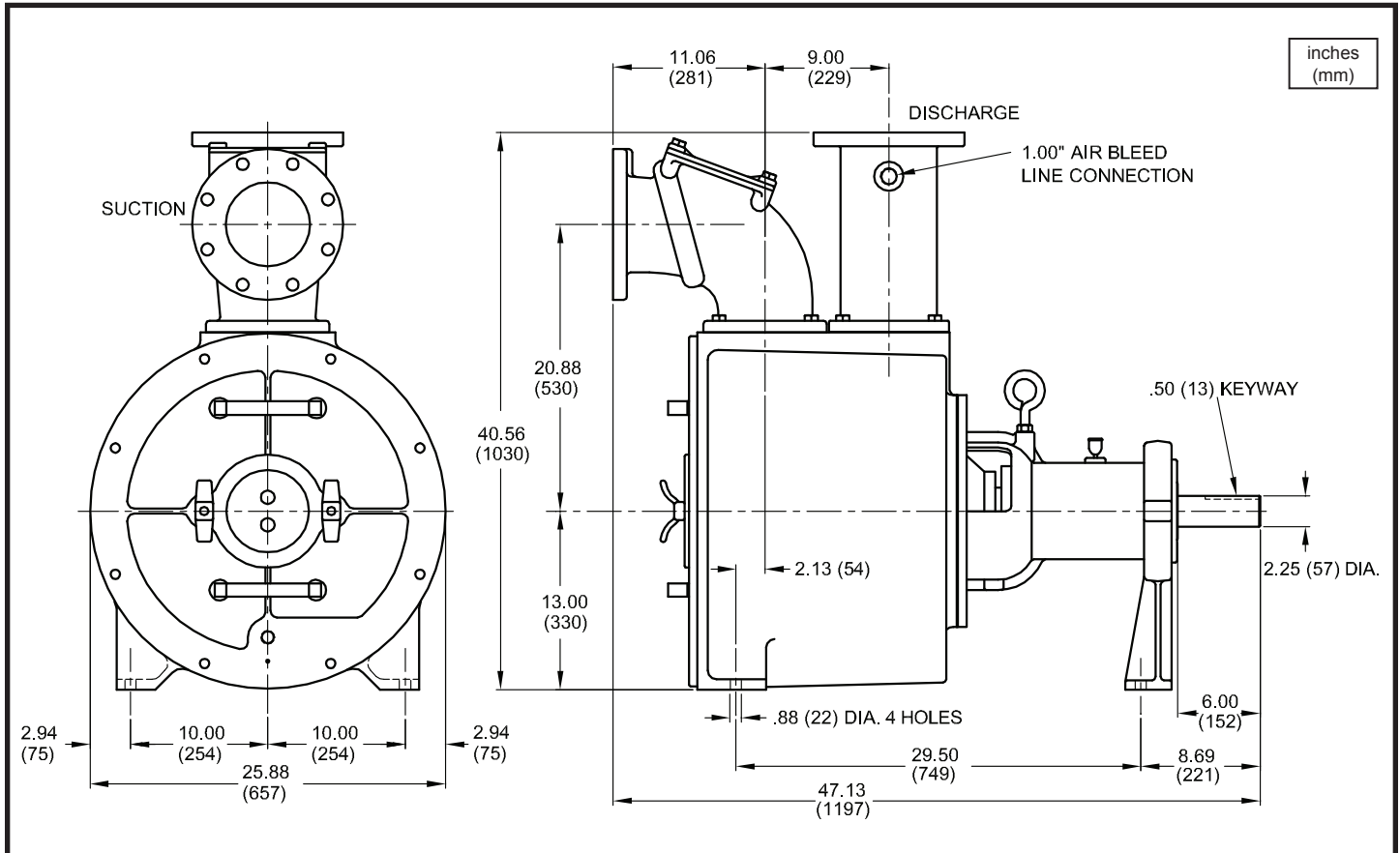


A Crane Co. Company

PUMPS & SYSTEMS

USA: (937) 778-8947 • Canada: (905) 457-6223 • International: (937) 615-3598

Self-Priming, Solids Handling Pumps



MODEL NO	PART NO	WEIGHT LBS. (kg)	
PO6LC-14X	6C08D-0014X-031	1055 (479)	
PO6LC-13B	6C08D-0013B-031	1055 (479)	

IMPORTANT !

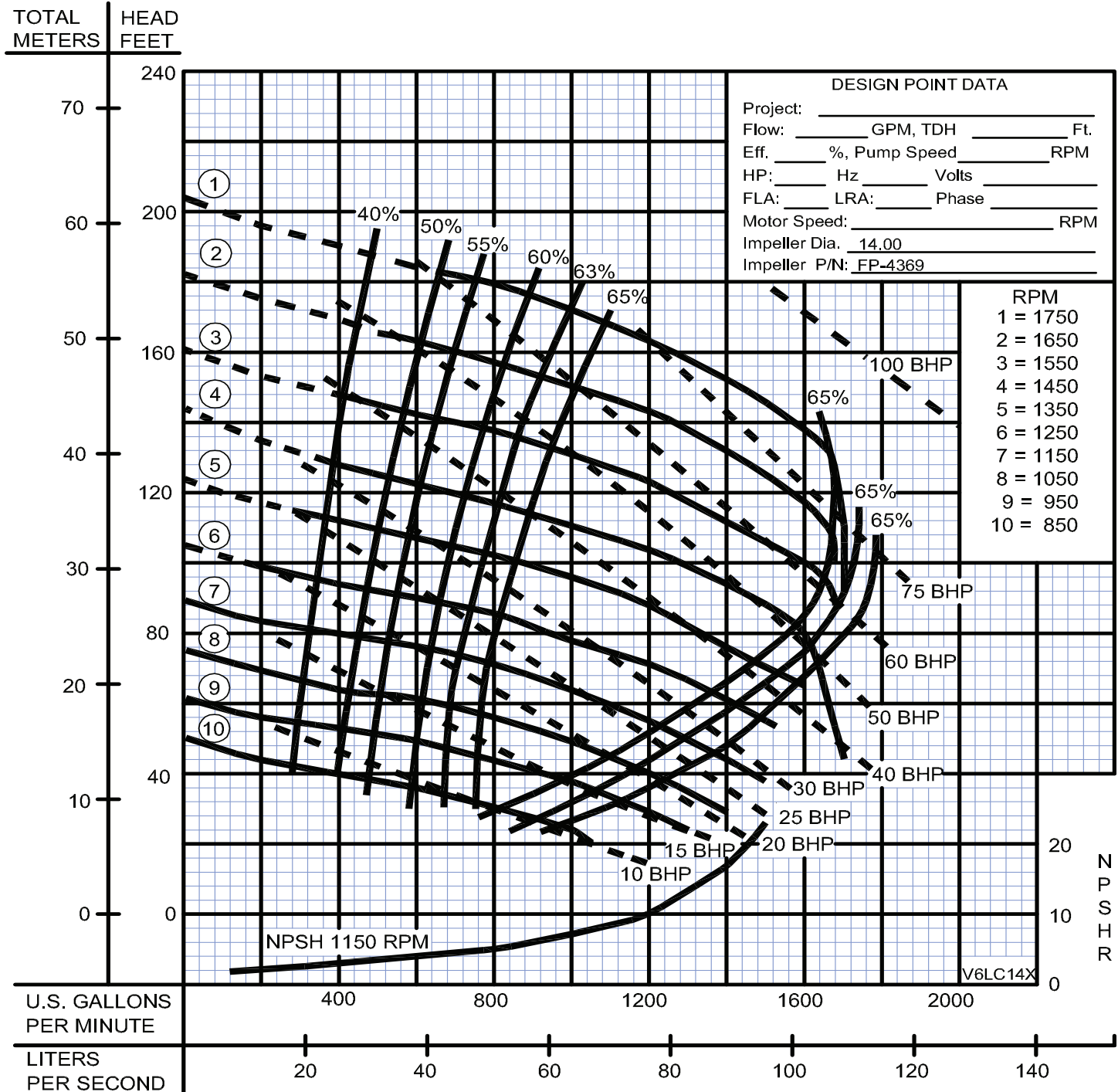
- DO NOT USE FOR PUMPING FLUIDS WITH A FLASH POINT OF LESS THAN 100°F.
- MAKE CERTAIN THAT PUMP AND/OR MOTOR ASSEMBLY AND CONTROLS HAVE THE APPROPRIATE RATINGS FOR THE GIVEN APPLICATION AREA CLASSIFICATION. (ie DIVISION I, AGENCY LISTING ETC.)

Model: PO6LC-14X

Performance Curve
Various RPM



Self-Priming Solids Handling Pumps



MAXIMUM DRY PRIMING LIFT					
PUMP SPEED	2 Min	4 Min	6 Min	8 Min	10 Min
850 RPM	2 Ft.	5 Ft.	8 Ft.	11 Ft.	15 Ft.
1150 RPM	4 Ft.	11 Ft.	16 Ft.	18 Ft.	19 Ft.
1450 RPM	23 Ft.	25 Ft.	25 Ft.	25 Ft.	25 Ft.
1750 RPM	25 Ft.	25 Ft.	25 Ft.	25 Ft.	25 Ft.

When pump is operating, the **SUCTION LIFT** is limited by the available **NPSH** which is the corrected atmospheric pressure minus the dynamic suction lift, vapor pressure loss and 2 foot safety factor. This **net available NPSH** must exceed the **required NPSH** of the pump or a reduction of capacity, loss of efficiency, noise, vibration and cavitation will result. Calculate the dynamic suction lift from the **low** liquid level to the centerline of the impeller. When pump is priming, it is limited by the dry **PRIMING LIFT** which is the vertical distance from the **high** liquid level to the centerline of the impeller.

DO NOT Operate in "DASHED" Area of HQ Curve. Testing is performed with water, specific gravity 1.0 @ 68° F @ (20°C), other fluids may vary performance

SECTION 4A
PAGE 36
DATE 4/05

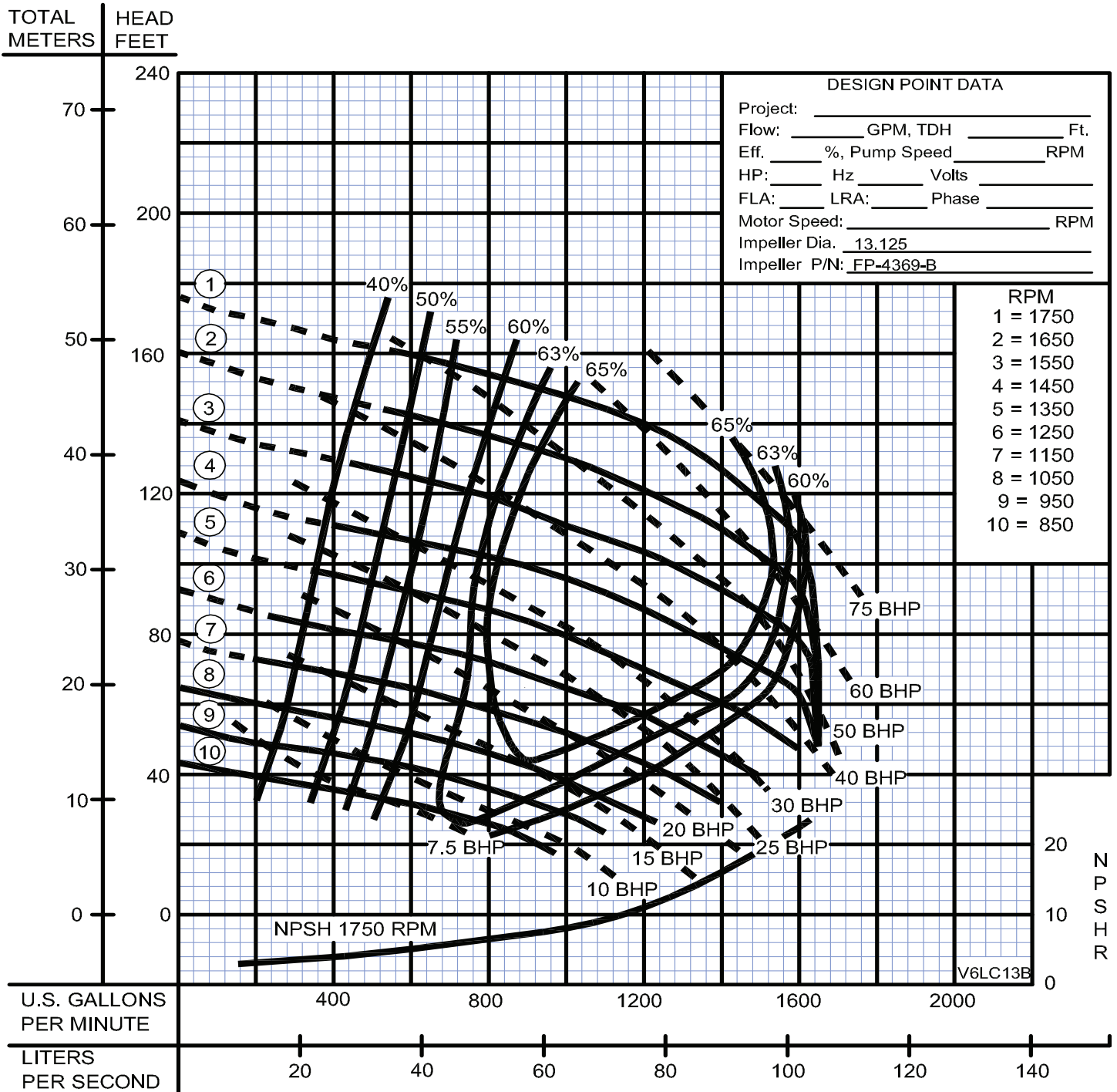


PUMPS & SYSTEMS

A Crane Co. Company

USA: (937) 778-8947 • Canada: (905) 457-6223 • International: (937) 615-3598

Self-Priming Solids Handling Pumps



MAXIMUM DRY PRIMING LIFT					
PUMP SPEED	2 Min	4 Min	6 Min	8 Min	10 Min
850 RPM	2 Ft.	5 Ft.	8 Ft.	10 Ft.	15 Ft.
1150 RPM	4 Ft.	11 Ft.	16 Ft.	19 Ft.	20 Ft.
1450 RPM	18 Ft.	25 Ft.	25 Ft.	25 Ft.	25 Ft.
1750 RPM	25 Ft.	25 Ft.	25 Ft.	25 Ft.	25 Ft.

When pump is operating, the **SUCTION LIFT** is limited by the available **NPSH** which is the corrected atmospheric pressure minus the dynamic suction lift, vapor pressure loss and 2 foot safety factor. This **net available NPSH** must exceed the **required NPSH** of the pump or a reduction of capacity, loss of efficiency, noise, vibration and cavitation will result. Calculate the dynamic suction lift from the **low** liquid level to the centerline of the impeller. When pump is priming, it is limited by the dry **PRIMING LIFT** which is the vertical distance from the **high** liquid level to the centerline of the impeller.

DO NOT Operate in "DASHED" Area of HQ Curve. Testing is performed with water, specific gravity 1.0 @ 68° F @ (20°C), other fluids may vary performance

Model: P06LC

Horizontal V-Belt Base, Motor Speed: 1750 RPM
 V-Belt Drive, Sheaves & Bushings, Pump Shaft: 2.25 Dia.



Self-Priming Solids Handling Pumps

Driven Speed	Speed Ratio	Motor HP	Frame Size	Center Distance	Drive P/N		Driven Speed	Speed Ratio	Motor HP	Frame Size	Center Distance	Drive P/N
1750	1.00	100	404-405T	25.4	091116		1250	1.40	40	324T	26.0	091144
1750	1.00	75	365T	25.4	091117		1250	1.40	30	286T	24.1	091145
1750	1.00	60	364T	25.9	091118		1250	1.40	25	184T	24.1	091146
1750	1.00	50	326T	25.9	091119		1250	1.40	20	256T	24.1	091147
1700	1.03	100	404-405T	25.7	091120		1200	1.46	40	324T	23.8	091148
1700	1.03	75	365T	25.7	091121		1200	1.46	30	286T	24.3	091149
1700	1.03	60	364T	25.7	091122		1200	1.46	25	284T	24.3	091150
1700	1.03	50	326T	25.7	091123		1200	1.46	20	256T	24.3	091151
1650	1.06	75	365T	25.9	091124		1150	1.52	30	286T	25.0	091152
1650	1.06	60	365T	25.9	091124		1150	1.52	25	284T	25.0	091153
1650	1.06	50	326T	24.5	091125		1150	1.52	20	256T	25.0	091154
1650	1.06	40	324T	26.0	091126							
1600	1.09	75	365T	26.1	091127		1050	1.66	25	284T	24.0	091155
1600	1.09	60	364T	26.1	091127		1050	1.66	20	256T	24.0	091156
1600	1.09	50	326T	26.1	091128		1050	1.66	15	254T	24.0	091156
1600	1.09	40	324T	26.1	091128							
1550	1.13	75	365T	24.1	091129		1000	1.75	20	256T	24.4	091157
1550	1.13	60	364T	24.1	091130		1000	1.75	15	254T	24.4	091157
1550	1.13	50	326T	24.1	091131		900	1.94	15	254T	24.9	091158
1550	1.13	40	324T	24.1	091131		900	1.94	10	215T	24.9	091159
1500	1.16	60	364T	24.0	091132							
1500	1.16	50	326T	24.0	091133							
1500	1.15	40	324T	24.0	091133							
1450	1.20	50	326T	25.2	091134							
1450	1.20	40	324T	25.2	091135							
1450	1.20	30	286T	25.2	091136							
1400	1.25	50	326T	24.3	091137							
1400	1.25	40	324T	24.3	091138							
1400	1.25	30	286T	24.3	091139							
1350	1.30	40	324T	23.9	091140							
1350	1.30	30	286T	23.9	091141							
1350	1.30	25	284T	23.9	091141							
1300	1.35	40	324T	24.2	091142							
1300	1.35	30	286T	24.2	091143							
1300	1.35	25	284T	24.2	091143							